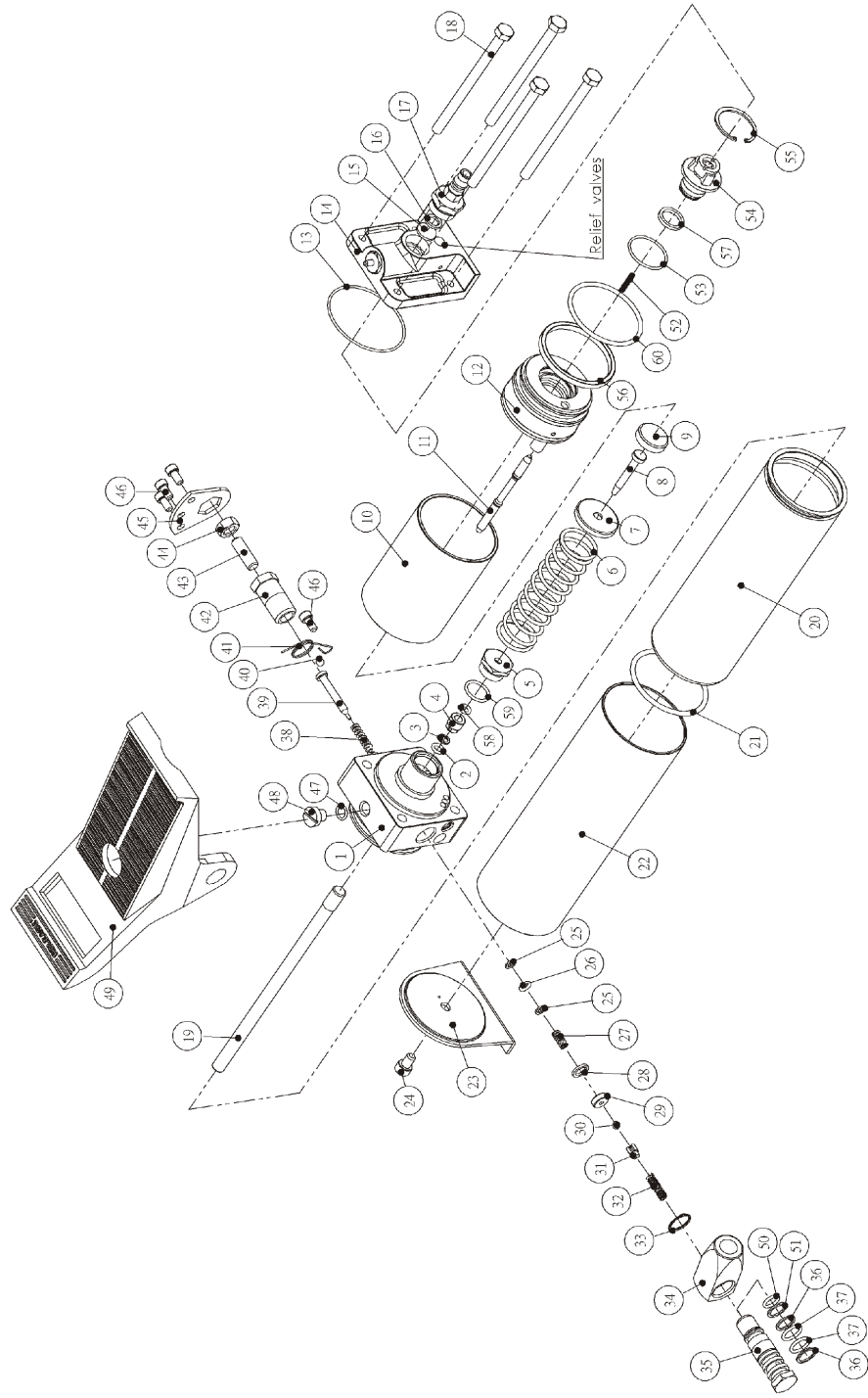


適用範圍：
液壓氣動踏式泵浦

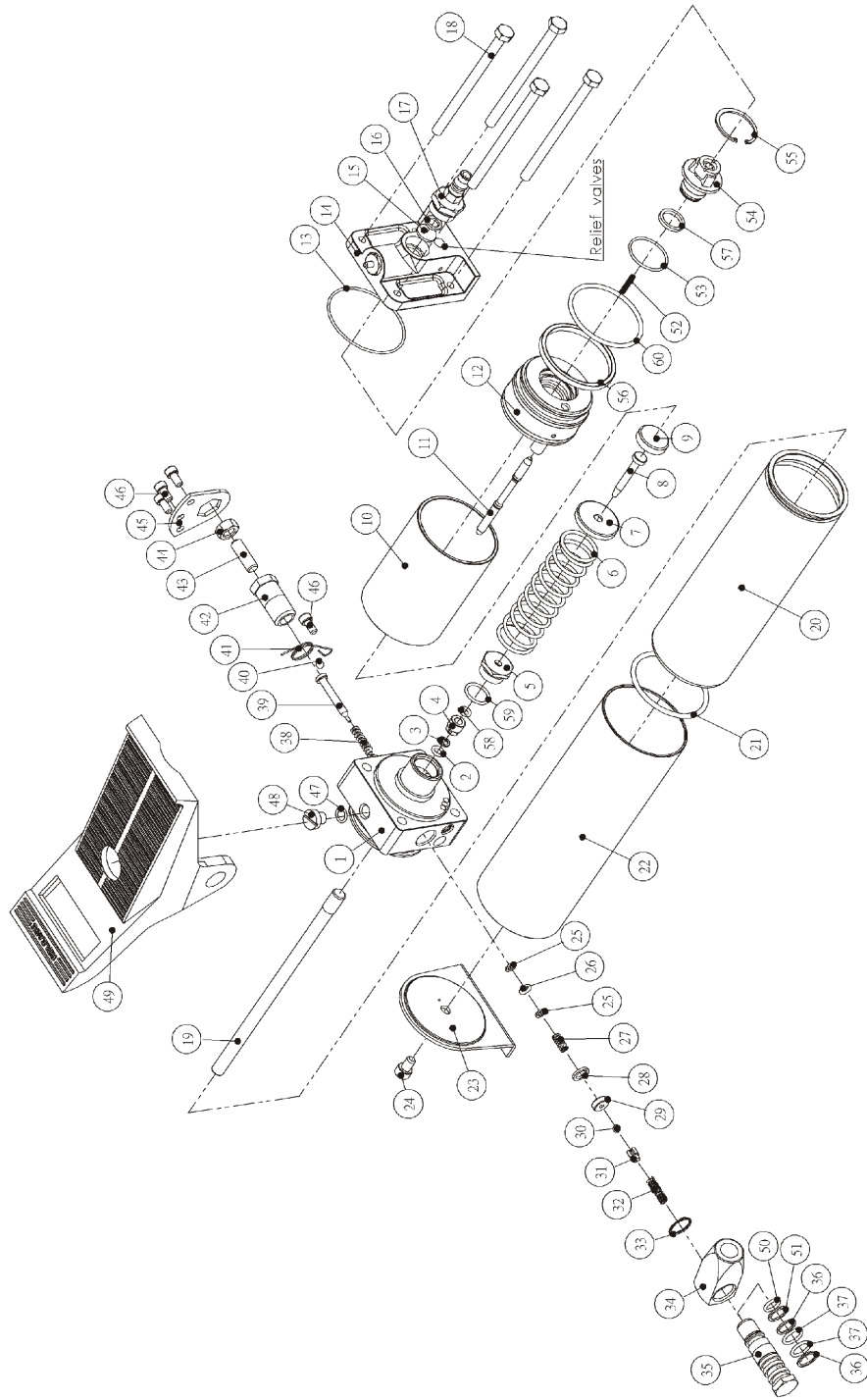
適用型號系列:SPA-70F, SPA-70FL

編號	零件名稱	數量	品號
1	油路機組	1	SPA70F-BA4
2	O型環	1	XB2.4-6.8
3	青托環	1	XG6.3-10.5-1.5T
4	鐵襯	1	SPA70F-B11
5	油泵螺帽	1	SPA70F-B10
6	彈簧	1	XF3-D36-142-9T
7	彈簧蓋	1	SPA70-C10
8	油泵軸	1	SPA70F-B08
9	墊塊	1	SPA70-C09
10	汽缸	1	SPA70-B01
11	支撐組	1	SPA70-AA4A
12	活塞	1	SPA70-A09
13	O型環	1	XBS070
14	入風組	1	SPA70F-BA1
15	濾網	1	XL022
16	華司	1	XWC22-16-1.5
17	入風螺絲組	1	SPA70F-BA2
18	螺絲	4	XNHC1/4-5A
19	油箱軸	1	SPA70F-B22
20	油袋組	1	SPA70F-BA5
21	O型環	1	XB4065
22	油箱管	1	SPA70F-B23
23	油箱底蓋	1	SPA70F-B25
24	螺絲	1	XNCAPM08-12-N
25	背托環	2	XG6-10-1.25T
26	O型環	1	XBAS108
27	彈簧	1	XF1.2-D7-15L-6T
28	華司	1	XWC14-10-1.2T
29	鋼珠窩	1	SPA70F-B15
30	鋼珠	1	XM1/4-G10
31	鋼珠襯	1	SPA70F-B16
32	彈簧	1	XF0.5-D5.5-D8.8
33	C型扣環	1	XAS19
34	活動滾頭	1	SPA70F-B18
35	出入口螺絲	1	SPA70F-B17
36	青托環	2	XGP015
37	O型環	2	XBP015
38	彈簧	1	XF1.5-D7-32L
39	回油軸	1	SPA70F-B13
40	鋼珠	1	XM1/4
41	踏板彈簧	1	XF1.8SPA70F
42	回油螺絲	1	SPA70F-B14
43	螺絲	1	XNSETM10-30
44	螺帽	1	XOM10
45	回油蓋板	1	SPA70F-B26
46	螺絲	4	XNCAPM06-12-N
47	O型環	1	XBAS110
48	加油螺絲	1	XNOIL-M10
49	踏板	1	SPA70F-B27
50	O型環	1	XBP014
51	青托環	1	XGP014
52	三角塊彈簧	1	XF0.55-D4.3-30
53	O型環	1	XB2033
54	三角塊組	1	SPA70-BC
55	C型扣環	1	XAR36
56	油封	1	XEA070-62-5
57	油封	1	XEA023-18-3
58	O型環	1	XB2.4-6.3
59	O型環	1	XBP019
60	O型環	1	XBAS231



* 修理包

Item	Description	Qty	Part No.
1	oil path block	1	SPA70F-BA4
*	O-ring	1	XB2.4-6.8
*	back-up ring	1	XG6.3-10.5-1.5T
4	steel tube	1	SPA70F-B11
5	nut	1	SPA70F-B10
6	spring	1	XF3-D36-142-9T
7	spring cover	1	SPA70-C10
8	plunger	1	SPA70F-B08
9	saddle	1	SPA70-C09
10	cylinder	1	SPA70-B01
11	spindle	1	SPA70-AA4A
12	piston	1	SPA70-A09
13	O-ring	1	XBS070
*	air inlet	1	SPA70F-BA1
15	filter net	1	XL022
16	washer	1	XWC22-16-1.5
17	air inlet bolt assembly	1	SPA70F-BA2
18	bolt	4	XNHC1/4-5A
19	oil tank spindle	1	SPA70F-B22
20	oil bag assembly	1	SPA70F-BA5
*	O-ring	1	XB4065
22	oil tank	1	SPA70F-B23
23	tank cover-bottom	1	SPA70F-B25
*	bolt	1	XNCAPM08-12-N
25	back-up ring	2	XG6-10-1.25T
26	O-ring	1	XBAS108
27	spring	1	XF1.2-D7-15L-6T
28	washer	1	XWC14-10-1.2T
29	feel ball base	1	SPA70F-B15
*	steel ball	1	XM1/4-G10
31	ball pedestal	1	SPA70F-B16
32	spring	1	XF0.5-D5.5-D8.8
33	C type ring	1	XAS19
34	swivel coupler	1	SPA70F-B18
35	bolt	1	SPA70F-B17
*	back-up ring	2	XGP015
37	O-ring	2	XBP015
38	spring	1	XF1.5-D7-32L
39	oil return spindle	1	SPA70F-B13
40	steel ball	1	XM1/4
41	spring	1	XF1.8SPA70F
42	bolt	1	SPA70F-B14
43	bolt	1	XNSETM10-30
*	nut	1	XOM10
45	oil return block	1	SPA70F-B26
46	bolt	4	XNCAPM06-12-N
47	O-ring	1	XBAS110
48	bolt	1	XNOIL-M10
49	pedle	1	SPA70F-B27
50	O-ring	1	XBP014
51	back-up ring	1	XGP014
52	spring	1	XF0.55-D4.3-30
53	O-ring	1	XB2033
54	ratch assembly	1	SPA70-BC
55	C type ring	1	XAR36
56	seal	1	XEA070-62-5
57	seal	1	XEA023-18-3
*	O-ring	1	XB2.4-6.3
*	O-ring	1	XBP019
60	O-ring	1	XBAS231



Part number marked with an asterisk (*) are contained in Repair Kit SPA-70F.